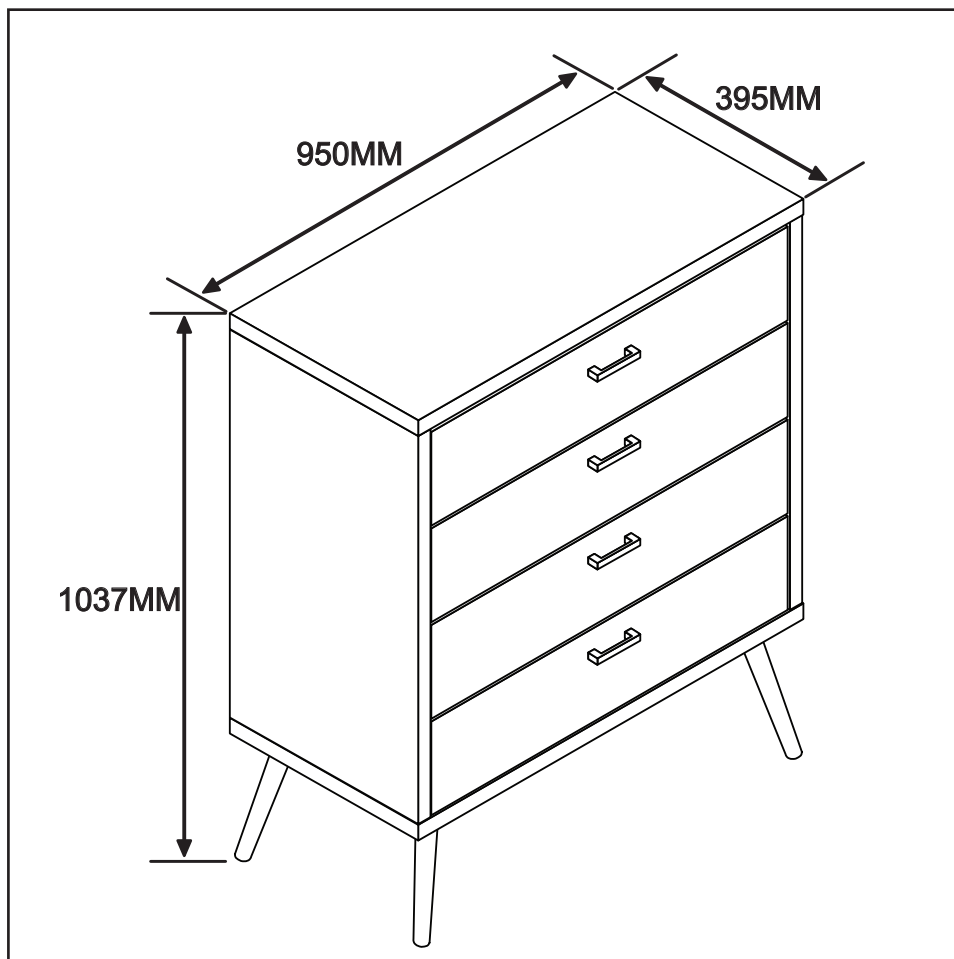




ASSEMBLY INSTRUCTION
KORI 4 DRAWER TALL CHEST
ITEM CODE 58236

Imported by Amart Furniture Pty Ltd, Qld, Brisbane Australia.
For any assistance with assembly or for missing parts please phone
Amart Furniture, Customer Service Free call 1800 351 084

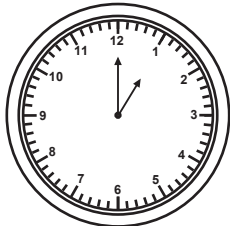
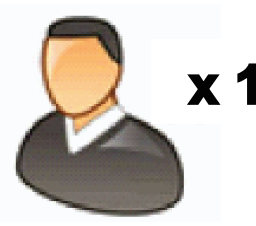
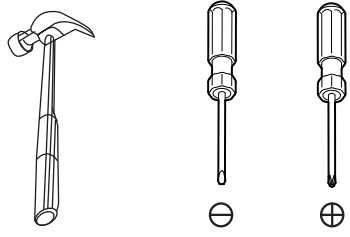


Imported by Amart Furniture Pty Ltd, Qld, Brisbane Australia.
For any assistance with assembly or for missing parts please phone
Amart Furniture, Customer Service Free call 1800 351 084

PRE-ASSEMBLY PREPARATION

Before you start:

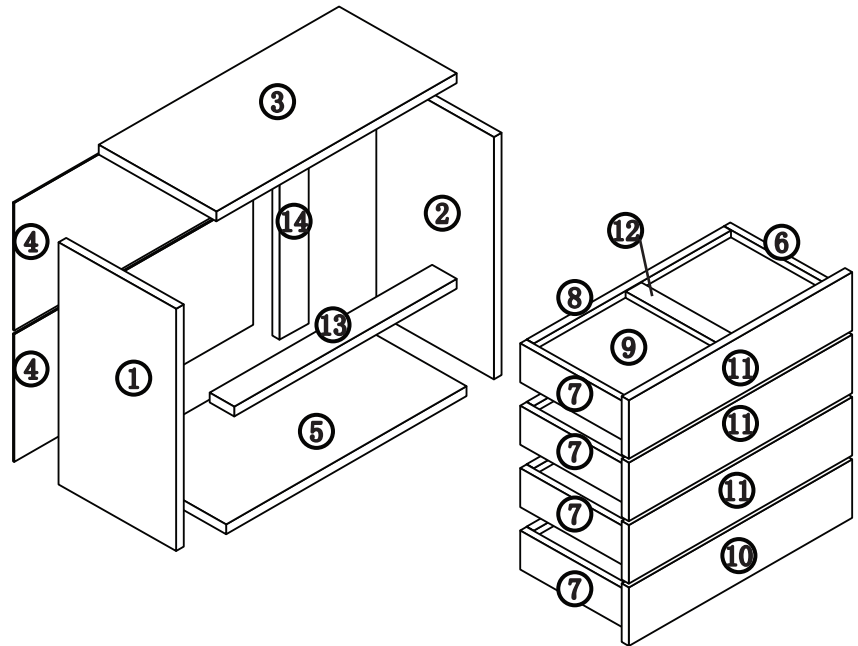
1. Choose a clean, level, spacious assembly area. Avoid hard surfaces that may damage the product
2. Take care when lifting. Product should be assembled as near as possible to the point of use
3. Ensure that you have all required contents for complete assembly
4. Always read the assembly instructions carefully before beginning assembly.
5. Keep all hardware parts and packaging out of reach of small children.
6. Do not over tighten the screws and bolts as this may damage the threads



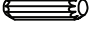

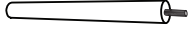


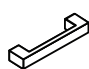






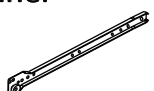
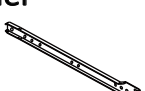
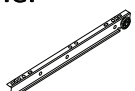
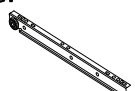
| | |
|---|--|
|  |  |
| ALLOW 60 MINUTES | PEOPLE REQUIRED |
|  | |
| TOOLS REQUIRED | |

| | |
|---|---|
| ! TIPPING WARNING ! | |
|  | <p>Serious or fatal injuries may occur from furniture toppling over. To help avoid this please follow the below recommendations:</p> <ul style="list-style-type: none">• Install the provided "Tipping Kit" as per the instructions• Never allow children to climb on or hang off of any part of this product• Unless specifically designed to accommodate, do not set TVs or other heavy objects on top of this product <p>If this product has drawers:</p> <ul style="list-style-type: none">• Place the heaviest items in lowest drawers• Do not open more than 1 drawer at a time as this may cause the product to become unbalanced• Do not tamper with or remove any drawer interlocking/running system <p>Note: The use of the provided "Tipping Kit" may reduce but not necessarily eliminate the risk of furniture toppling over. Please use this product with caution.</p> <p><i>This is a permanent label. Do not attempt to remove!</i></p> |

EXPLODED EXAMPLE

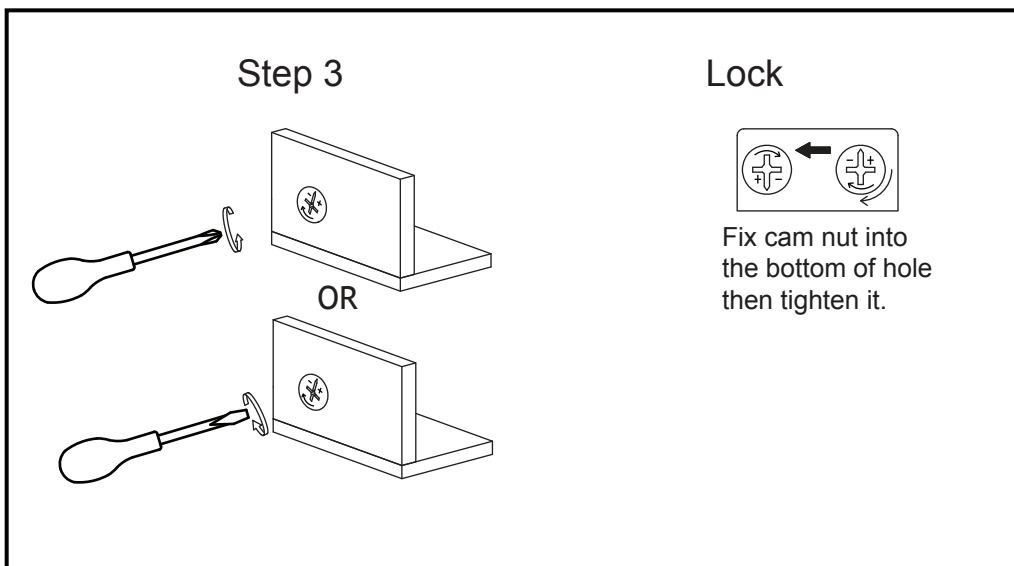
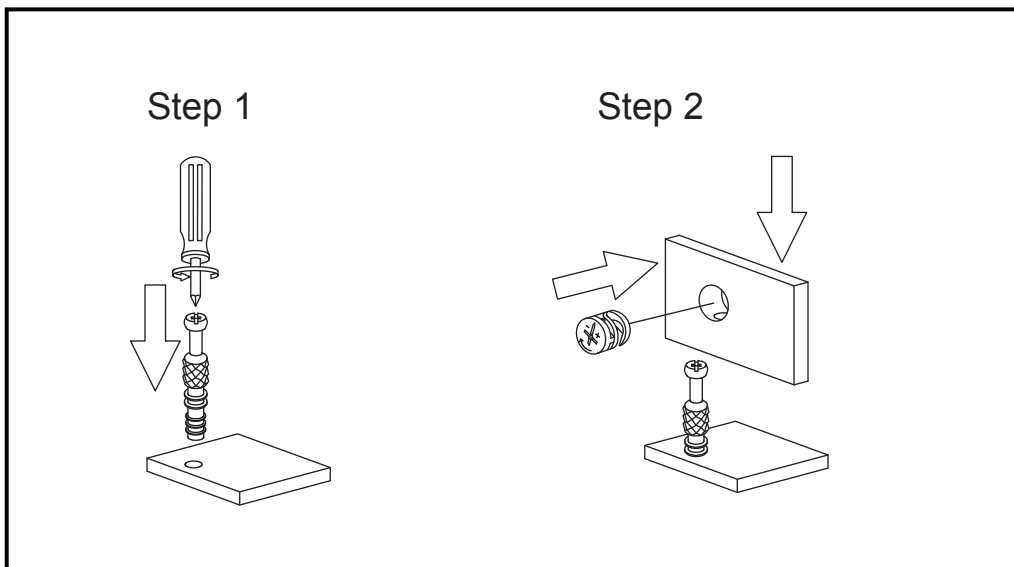
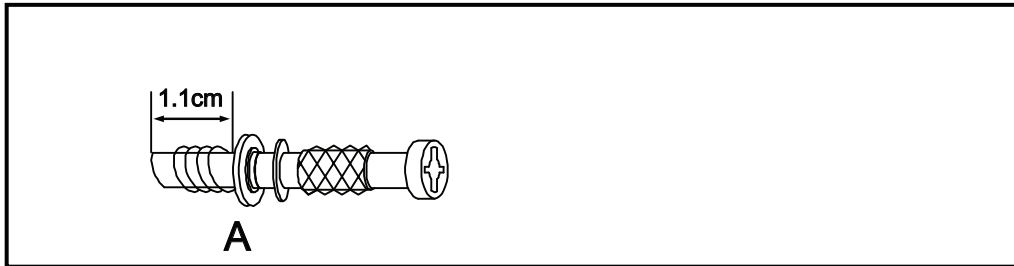
| | |
|----|---------------------|
| 1 | LEFT SIDE PANEL |
| 2 | RIGHT SIDE PANEL |
| 3 | TOP PANEL |
| 4 | BACK PANEL |
| 5 | BOTTOM PANEL |
| 6 | DRAWER LEFT PANEL |
| 7 | DRAWER RIGHT PANEL |
| 8 | DRAWER BACK PANEL |
| 9 | DRAWER BOTTOM PANEL |
| 10 | DRAWER FRONT PANEL |
| 11 | DRAWER FRONT PANELS |
| 12 | DRAWER SUPPORT BAR |
| 13 | CROSSING BAR |
| 14 | BACK CROSSING BAR |



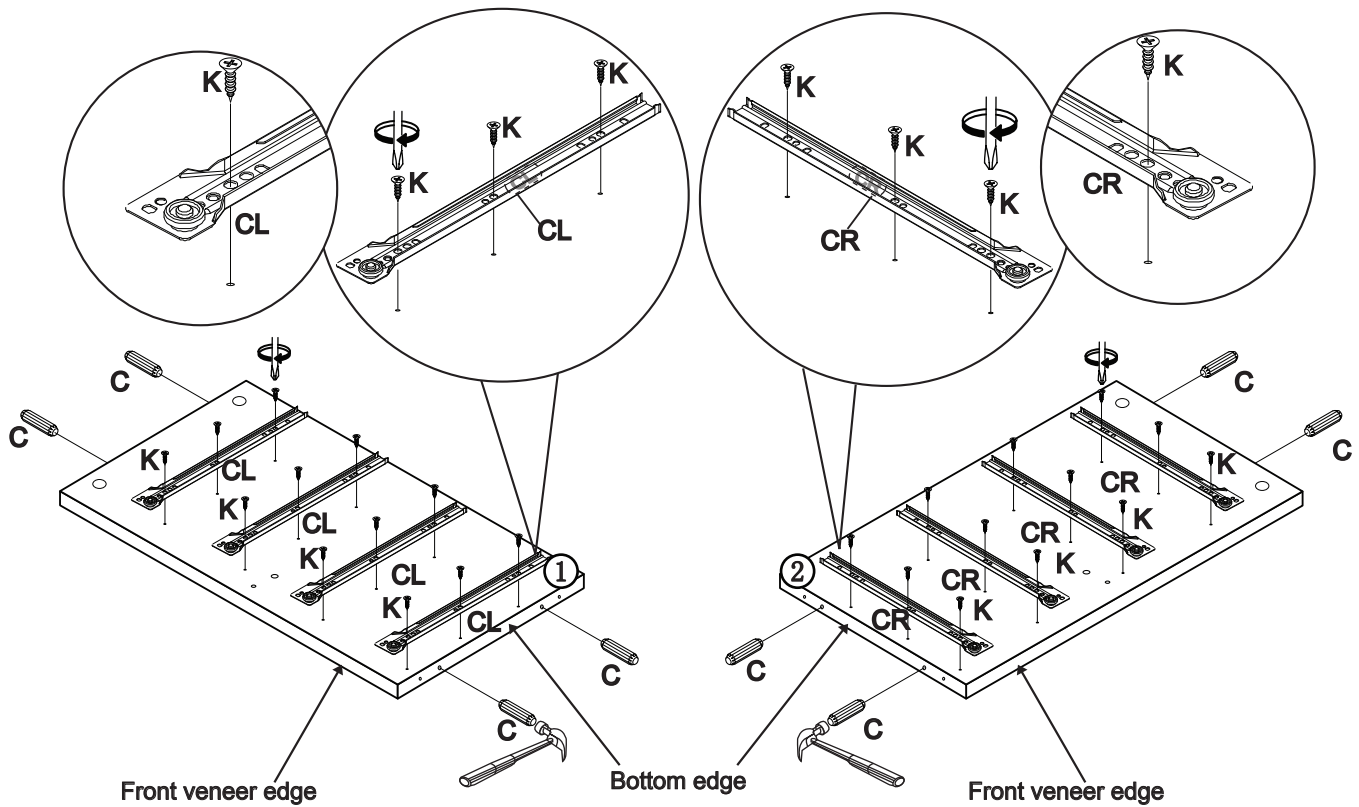
| | | | | |
|---|--|---|---|---|
| A cam pin  M7x39mm Ax28 | B cam lock  M15x12mm Bx28 | C dowel  M8x30mm Cx12 | D screw  M5x40mm Dx20 | E leg  M34x200mm Ex4 |
| F metal plate for leg  M72x75mm Fx4 | G screw  M4x16mm Gx20 | H handle  Hx4 | I screw  M4x19mm Ix8 | J screw  M3x16mm Jx18 |
| K screw  M3.5x14mm Kx48 | L wall fixing  M4x30mm M3.5x14mm Lx1 | M screw  M5x50mm Mx6 | N filler  908mm Nx1 | |
| CL runner  300mm CLx4 | CR runner  300mm CRx4 | DL runner  300mm DLx4 | DR runner  300mm DRx4 | |

| PART NUMBER | QTY | DIMENSIONS (MM) |
|--------------------|------------|------------------------|
| 1 | 1 | 795x394x18 |
| 2 | 1 | 795x394x18 |
| 3 | 1 | 950x395x18 |
| 4 | 2 | 940x41.3x2.5 |
| 5 | 1 | 950x395x18 |
| 6 | 4 | 330x140x15 |
| 7 | 4 | 330x140x15 |
| 8 | 4 | 850x1140x15 |
| 9 | 4 | 861x322x2.5 |
| 10 | 1 | 903x191x15 |
| 11 | 3 | 903x191x15 |
| 12 | 4 | 334x60x15 |
| 13 | 1 | 910x750x15 |
| 14 | 1 | 795x140x15 |

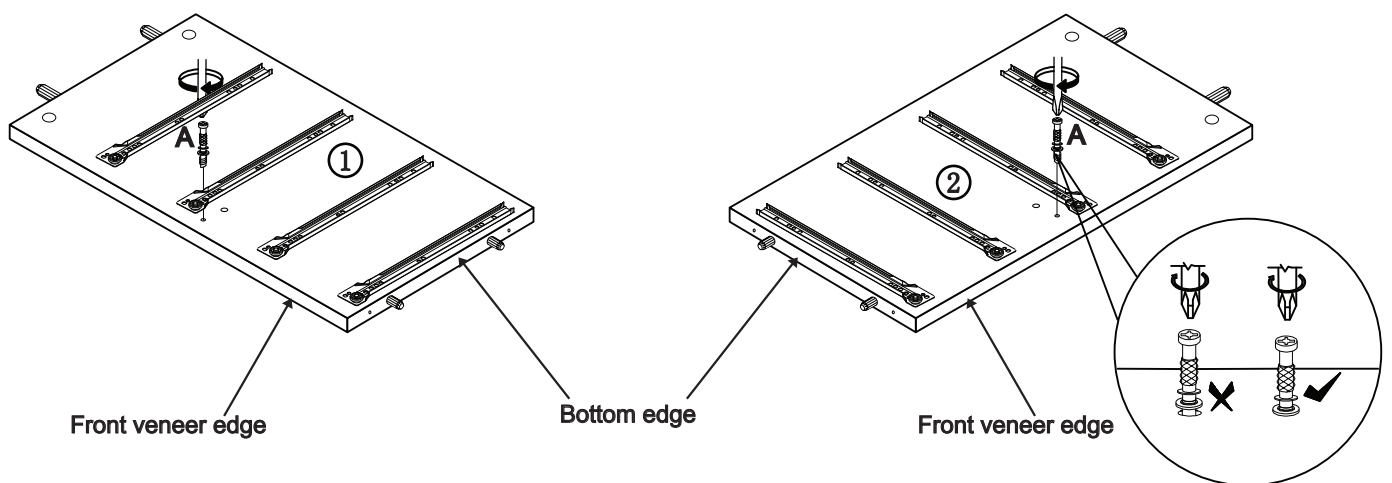
CAM LOCK INSTALL METHOD AS FOLLOWS



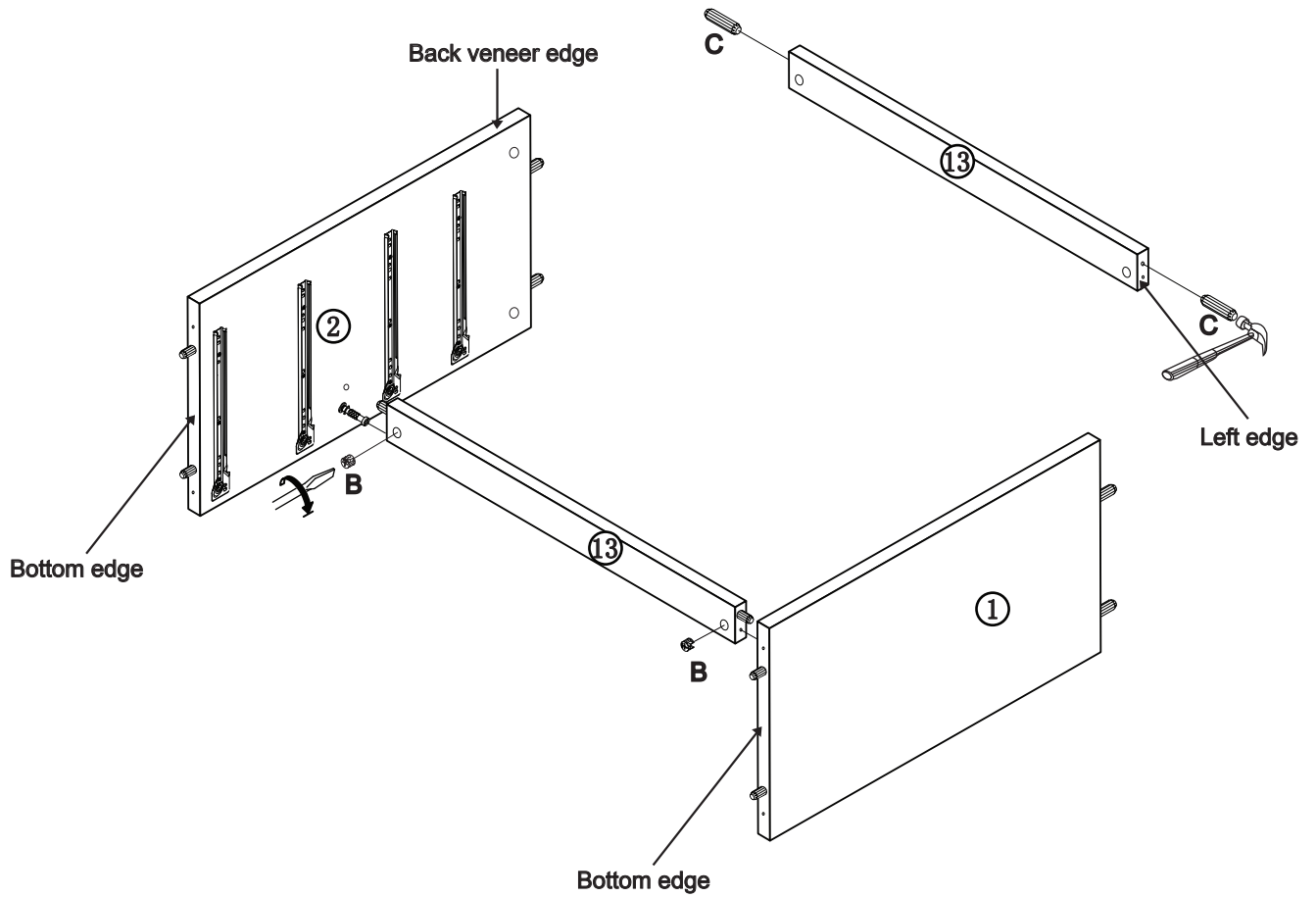
STEP 1: Fix runners **CL** to left side panel **①** with screws **K**. Fix runners **CR** to right side panel **②** with screws **K**. Insert dowel **C** to left side panel **①** and right side panel **②**.



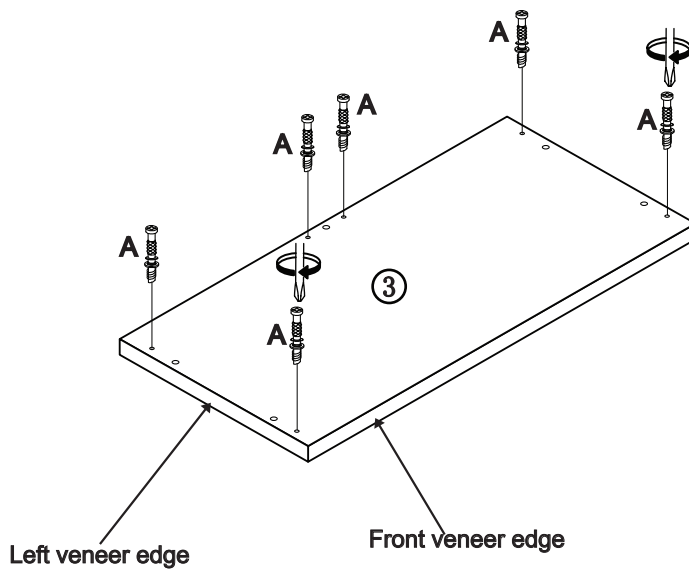
STEP 2: Fix cam pin **A** to left side panel **①** and right side panel **②**.



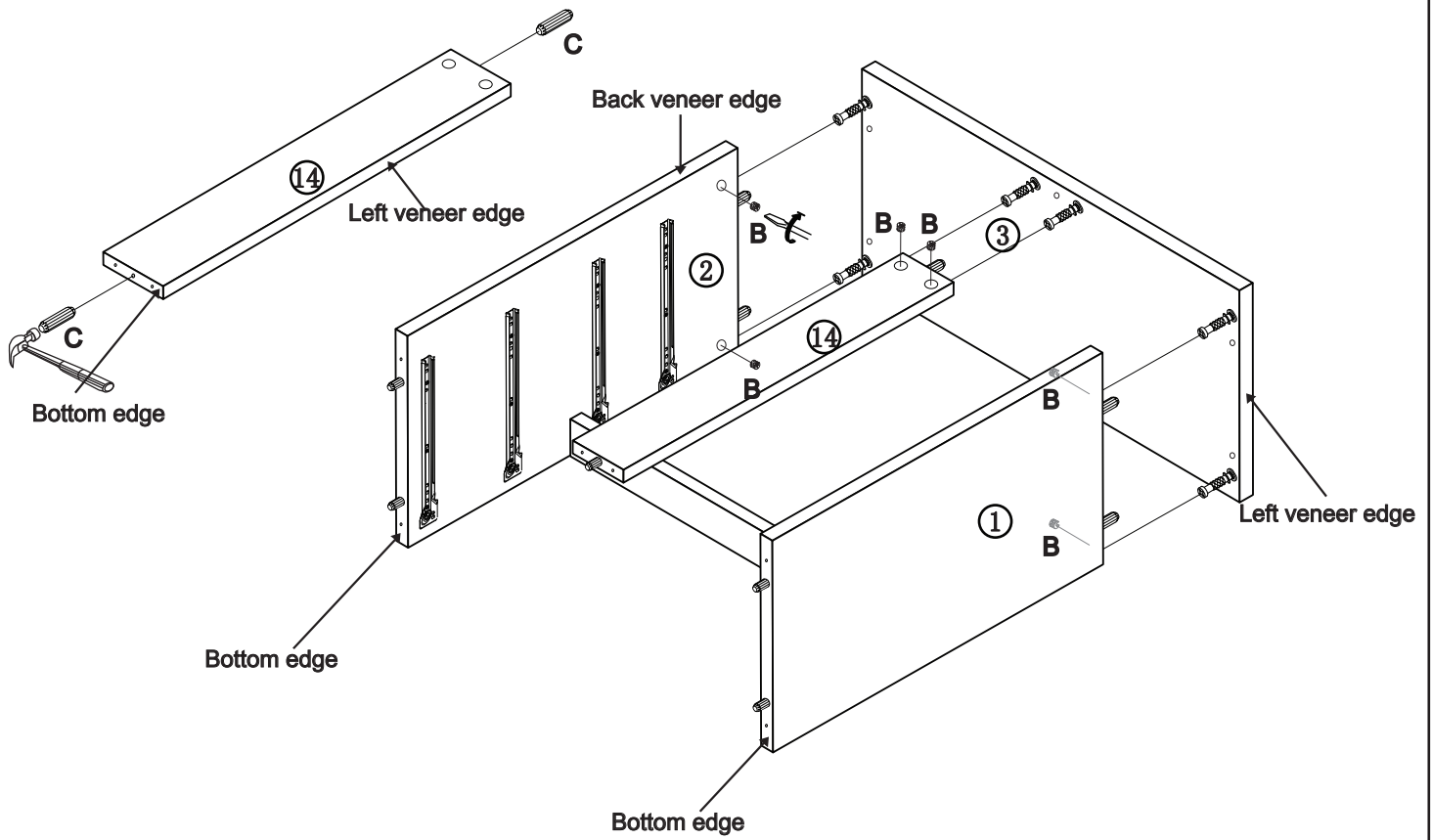
STEP 3: Insert dowel ① to crossing bar ⑬. Attach crossing bar ⑬ to left side panel ② and right side panel ① using cam locks ④.



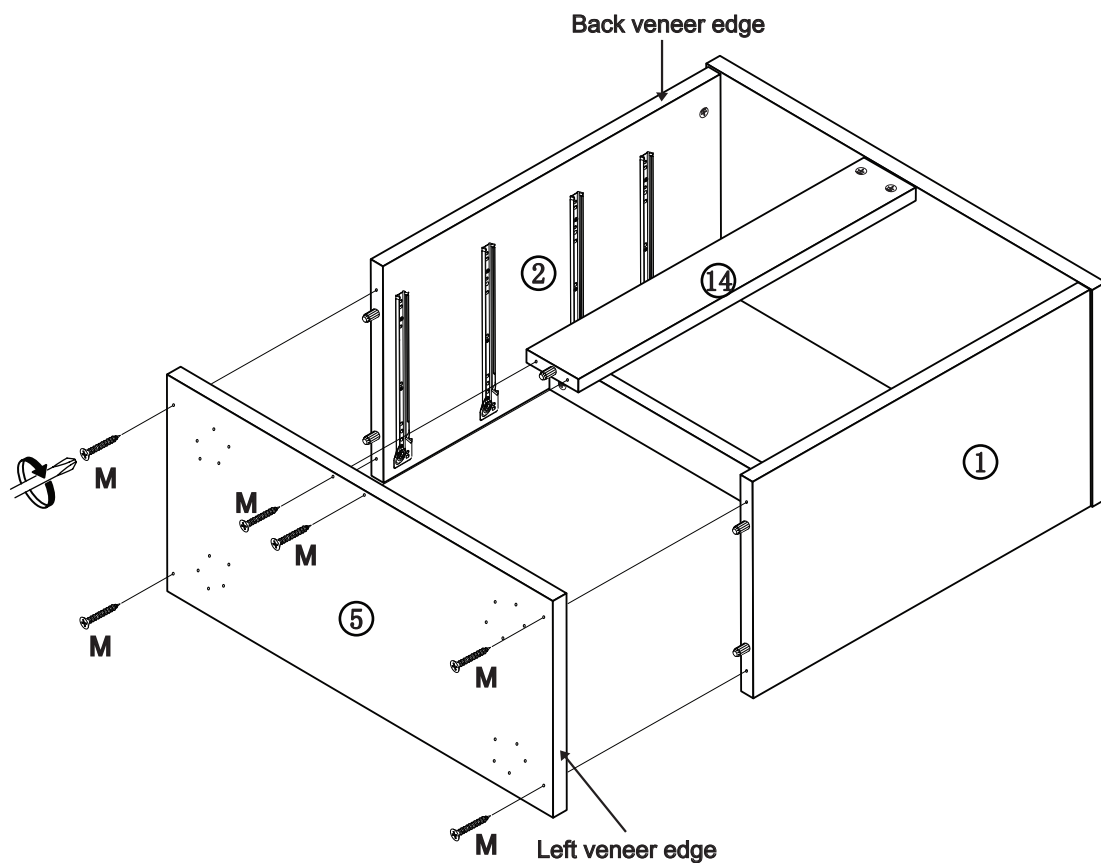
STEP 4: Fix cam pin ③ to top panel ①.



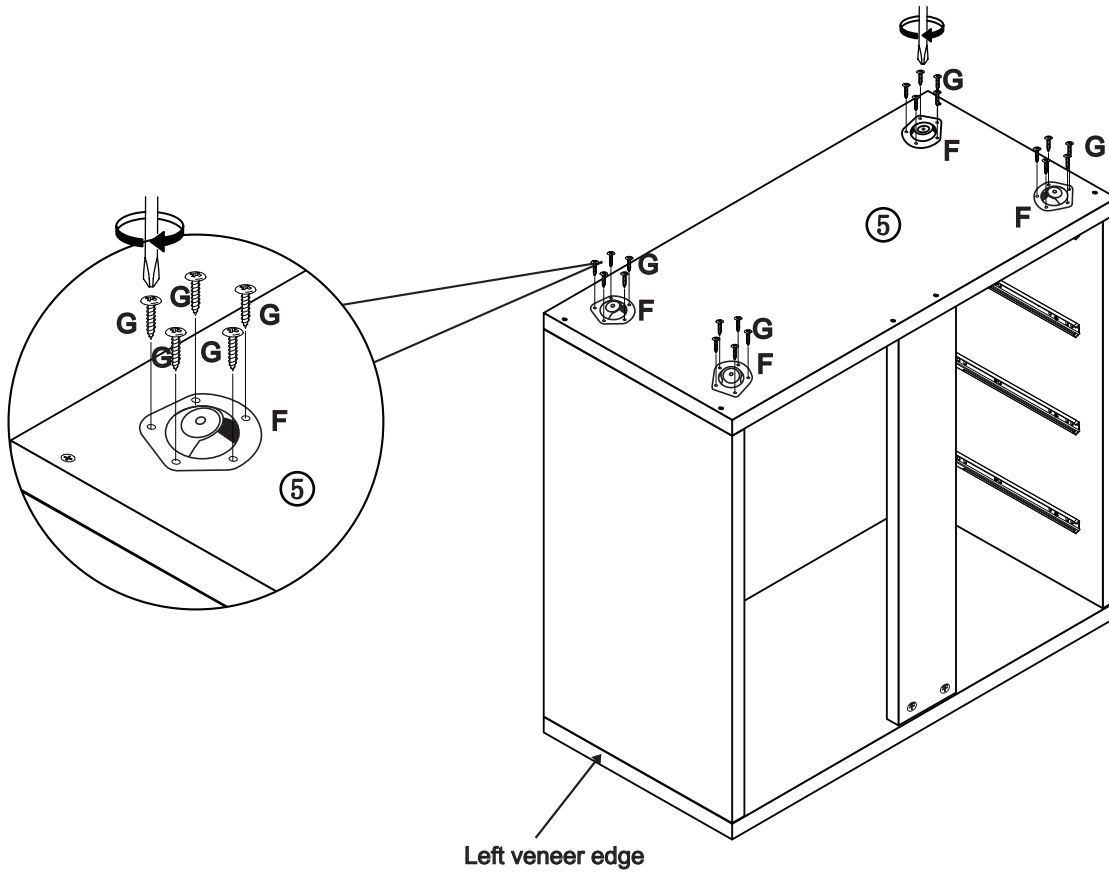
STEP 5: Insert dowel ③ to back crossing bar ⑭. Attach top panel ① to existing unit with cam locks ②.



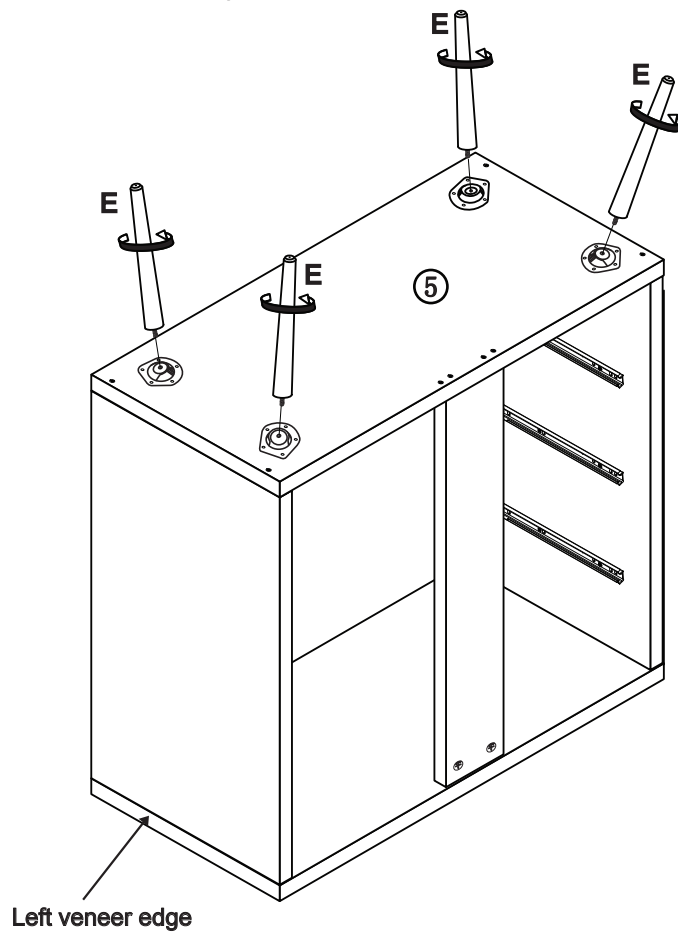
STEP 6: Attach bottom panel ⑤ to existing unit using screws ④.



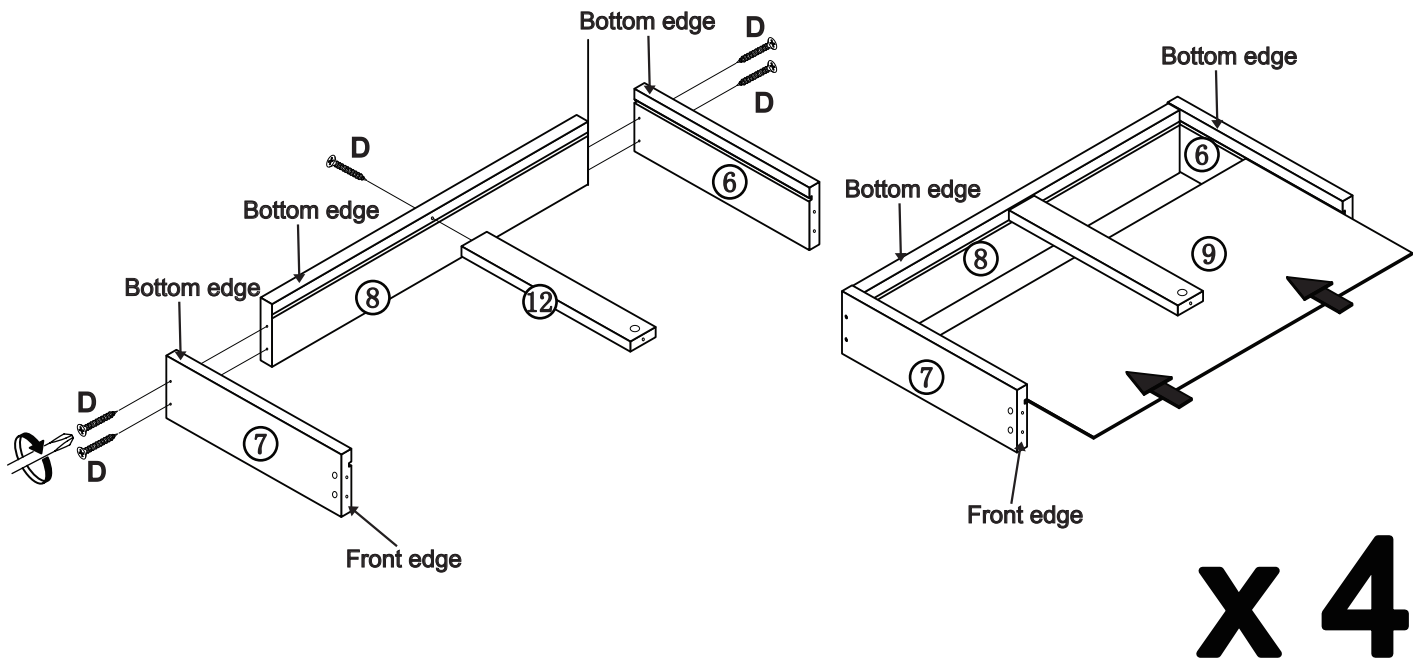
STEP 7: Fix metal plates ⑥ to bottom panel ⑤ with screws ⑦ .



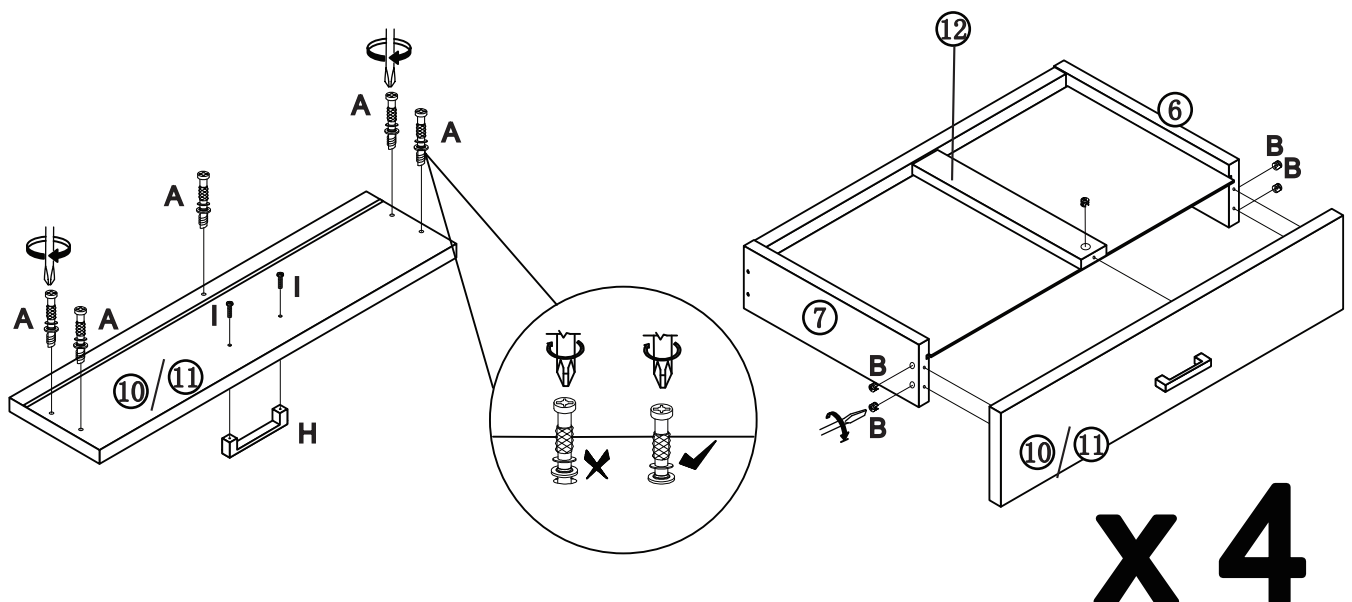
STEP 8: Fix legs ⑤ to the metal plates ⑥ .



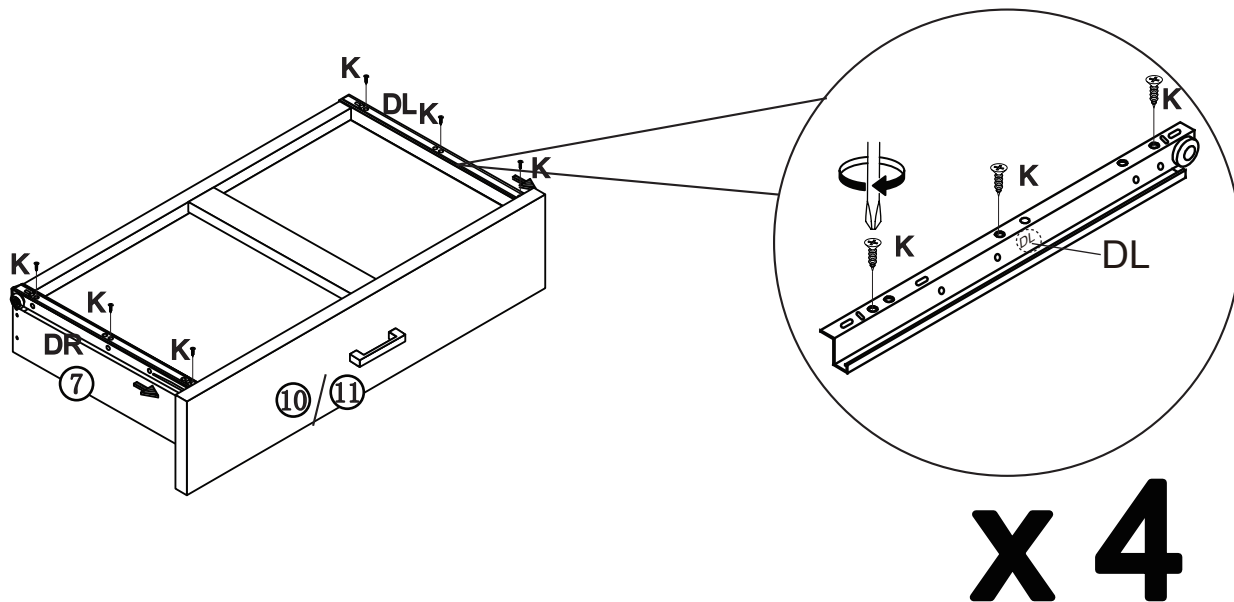
STEP 9: Attach drawer left panel ⑥, drawer support bar ⑫ and drawer right panel ⑦ to drawer back panel ⑧ with screw ①. Insert panel ⑨ to the body of drawer.



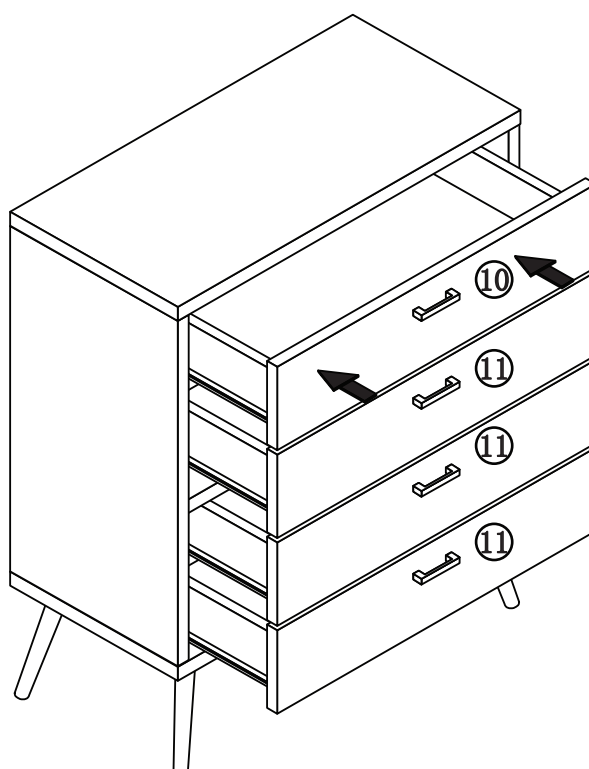
STEP 10: Fix cam pin ① to drawer front panel ⑩ ⑪. Fix handles ④ to drawer front panel ⑩ ⑪ with screw ⑤. Attach drawer front panel ⑩ ⑪ to the body of drawer.



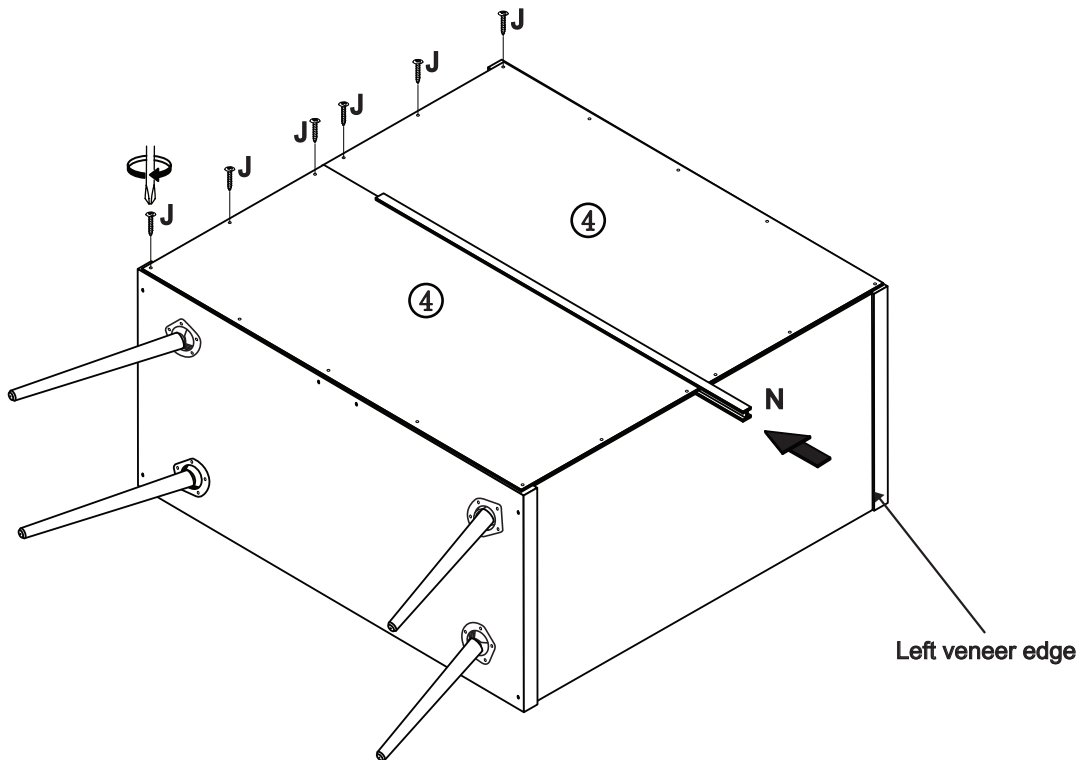
STEP 11: Install runner ①② to bottom of drawer with screws ③.



STEP 12: Assemble drawers into the body

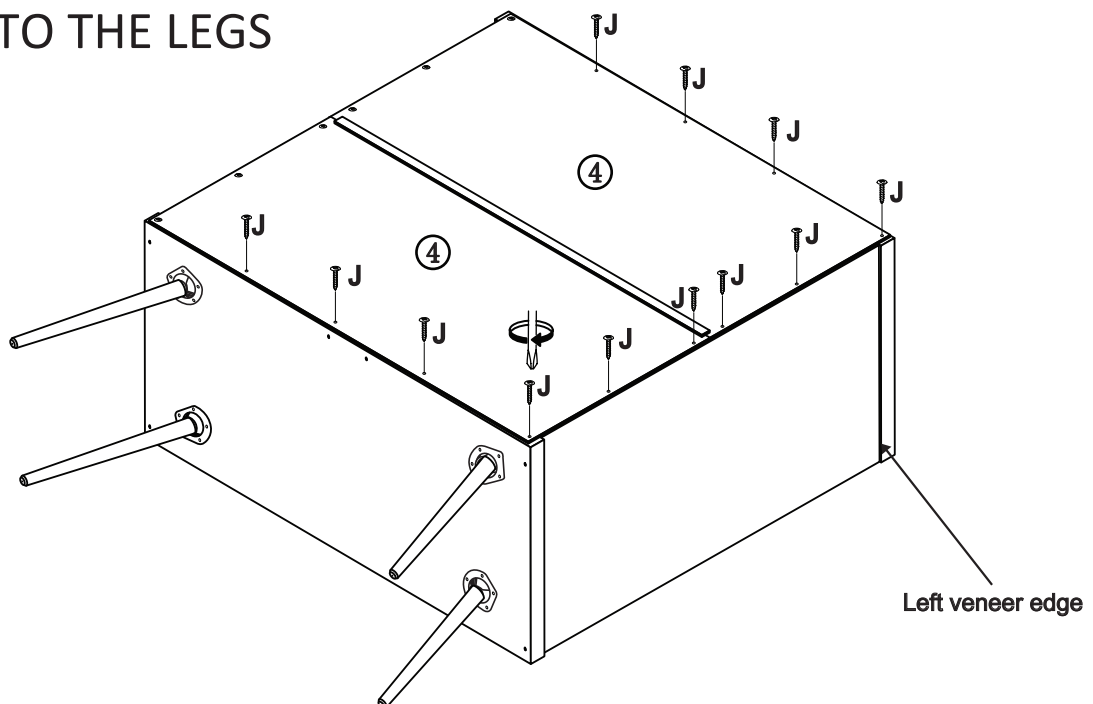


STEP 13: Attach back panels ④ to the existing unit using some of screws ⑩. Fix filler ① to join back panels ④.



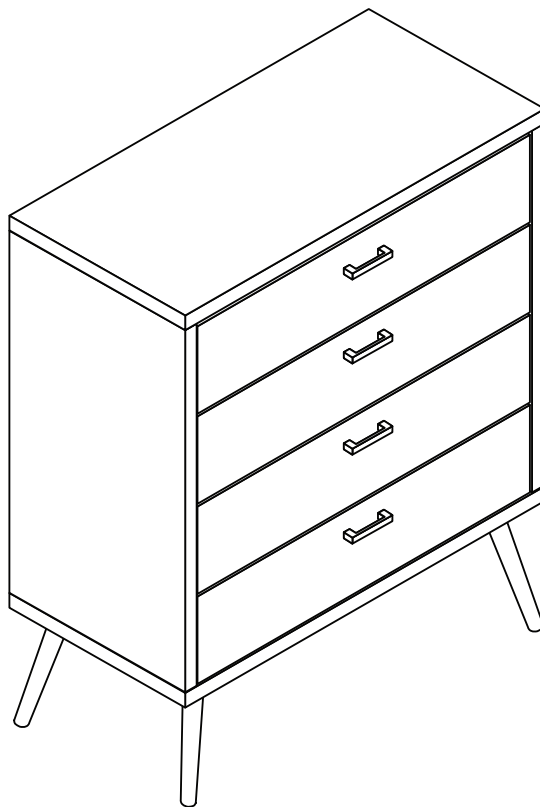
STEP 14: Attach back panel ④ to existing unit using all rest screws ⑩.

DO NOT PUSH OR DRAG THIS FURNITURE – IT WILL CAUSE DAMAGE TO THE LEGS



ASSEMBLY COMPLETE

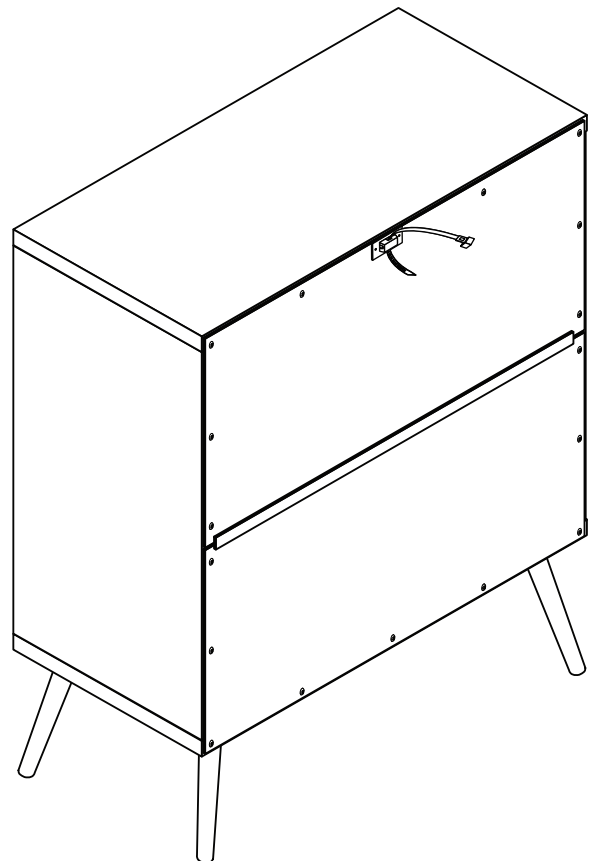
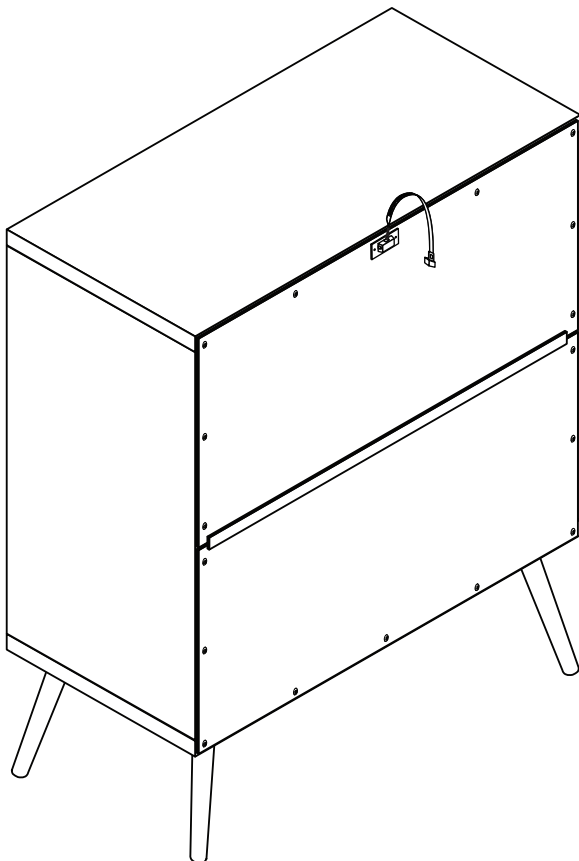
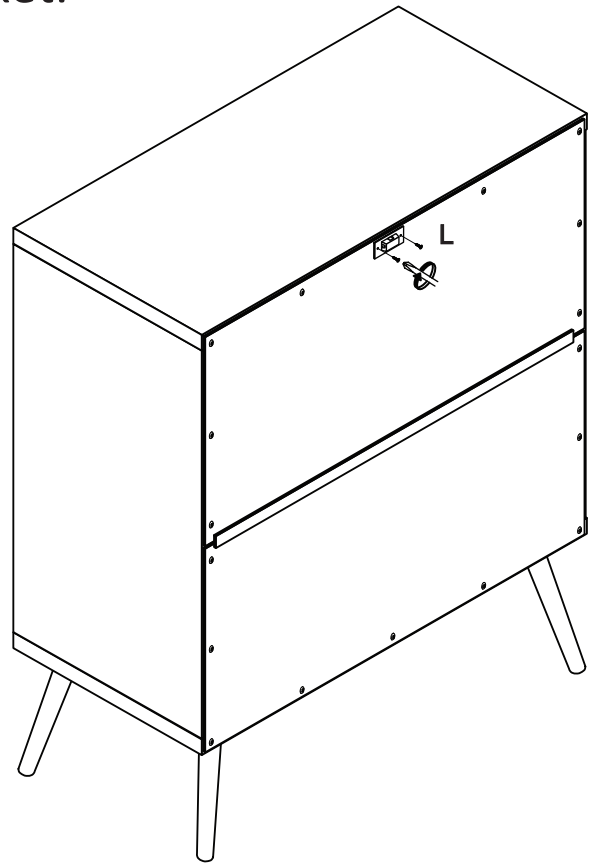
DO NOT PUSH OR DRAG THIS FURNITURE – IT WILL CAUSE
DAMAGE TO THE LEGS



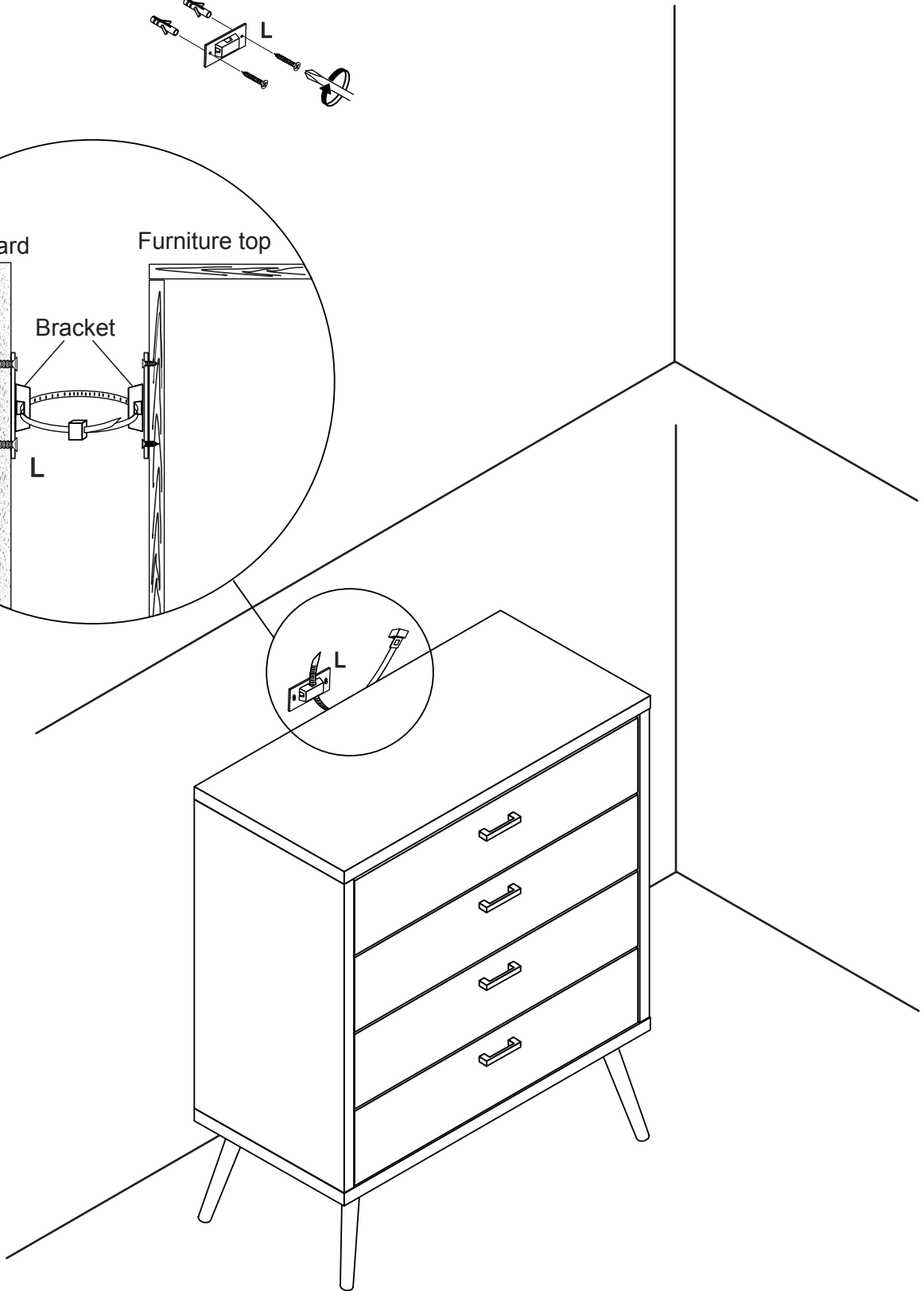
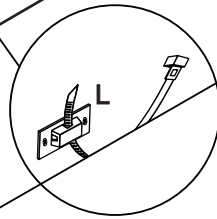
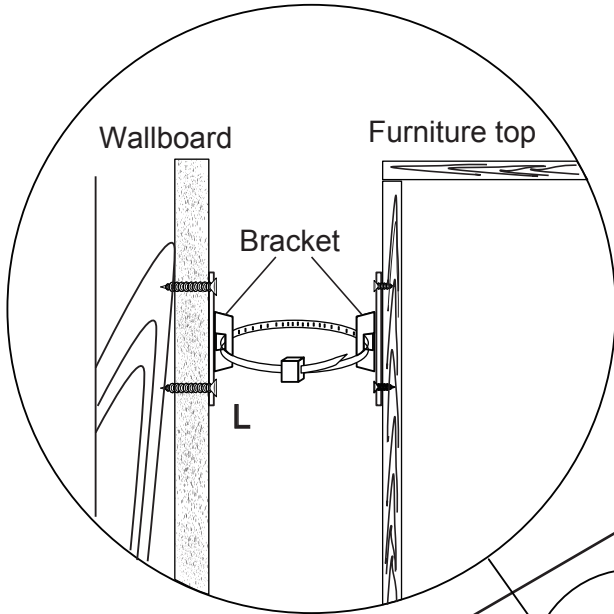
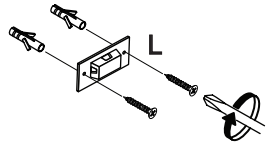


STEP 1: Fix bracket to back panel using screws M3.5*14MM .
Put plastic string into bracket.

NOTE - This product must be fixed to a wall.
Please ensure the correct wall fixings are used.
Failure to do so may result in personal injury or
cause property damage if the product topples
over. Please note that the screws are only
suitable for plasterboard wall materials, please
contact local hardware store for corresponding
screws for other wall materials.



STEP 2: Fix bracket onto the wall using screws M4*30MM.
Join wallboard and the furniture with plastic sting.



PRODUCT CARE:

To protect your furniture,we suggest the following:

*Avoid placing your furniture in direct sunlight.

*Do not place furniture directly under windows.

*Do not place sharp materials(knife,fork,etc) directly onto your furniture as sharp material may scrape and damage the finish.

Do not place material with high temperature directly onto the surface of your furniture.

*Protective padding is strongly recommended when using your furniture .

*Clean up spills quickly.Water left over a prolonged period of time may cause damage.Alcohol,perfume,nail polishes,aftershave and some medication may cause severe finish damage if not cleaned immediately.

*Use a clean,soft,dry,lint free absorbant cloth to clean your furniture.Do not use any detergent as they may contain ingredients that may react and damage the finish.

NOTE: If the above care advise is not adhered to your product warranty may become void.